

REXITE

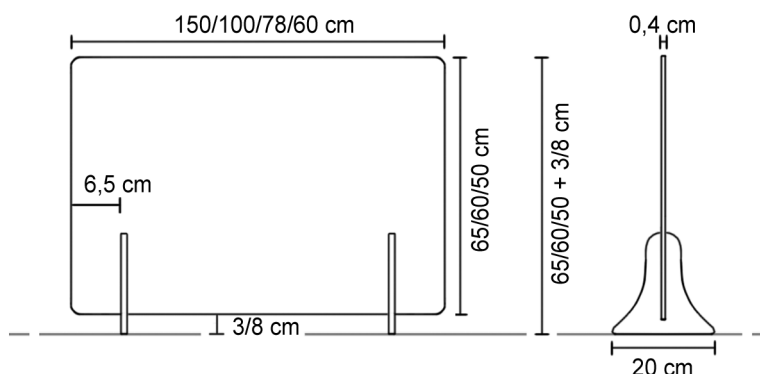
milano



product name	PLEXY
code	2610 – 2612 – 2614 – 2616
description	plexiglass divider panels for desks
design	StudioErre
year introduction	2020

dimensions & weight	2616 – panel: 150 x 65 (thickness 4 mm) – 4 Kg
	2610 – panel: 100 x 60 (thickness 4 mm) – 3 Kg
	2612 – panel: 78 x 60 (thickness 4 mm) – 2,3 Kg
	2614 – panel: 60 x 50 (thickness 4 mm) – 1,6 Kg

clearance 3 / 8 cm clearance between support surface and panel, for paper documents and small items



customizations the plexiglass divider may also be produced in different dimensions, on request please contact our sales department for minimum order/quantity and relevant quote

materials & finishing	divider panel and bases in plexiglass, thickness 4 mm
recycling	100%
maintenance	use a soft cloth with normal glass cleaner or water and neutral soap, do not use chemical products or abrasives

packing 1 carton	2616 – 153 x 69 x 2,5 cm – 5 Kg
	2610 – 103 x 64 x 2,5 cm – 4 Kg
	2612 – 81 x 64 x 2,5 cm – 3,2 Kg
	2614 – 63 x 54 x 2,5 cm – 2,5 Kg

public price list (excl. VAT)	150 x 65 cm – 2616.00.00 (clearance 3 cm)	2616.10.00 (clearance 8 cm)
	100 x 60 cm – 2610.00.00 (clearance 3 cm)	2610.10.00 (clearance 8 cm)
	78 x 60 cm – 2612.00.00 (clearance 3 cm)	2612.10.00 (clearance 8 cm)
	60 x 50 cm – 2614.00.00 (clearance 3 cm)	2614.10.00 (clearance 8 cm)

availability prompt delivery

